



Touch screen weight indicator perfect for any type of weighing. For desk, wall and panel mounting

Practical, easy to install and use

Perfect for static weighing and loading-unloading and multicomponent dosage

Customizable according to necessity & multilingual menu

Available in Profinet, Ethernet IP, Ethernet, EtherCAT

6 inputs and 6 outputs (optoisolated 24 Vdc)

Internal data memory 64 Kbytes expandable up to 1024 Kbytes

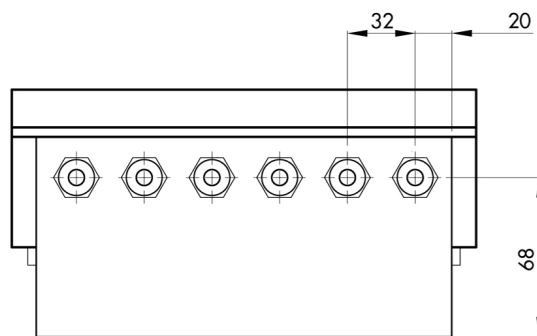
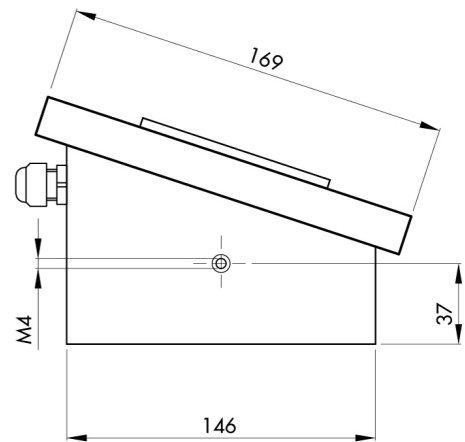
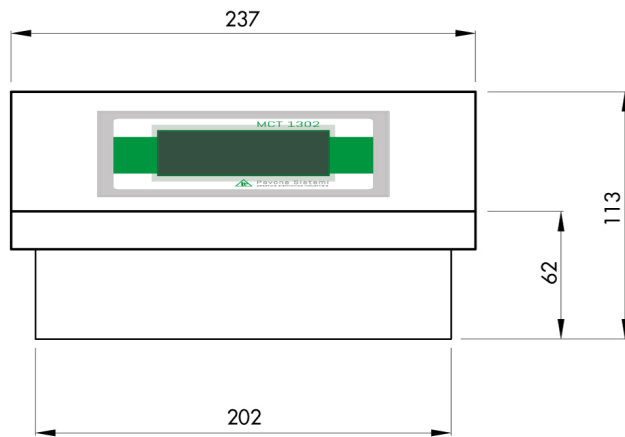
Fieldbus + analog output on board at the same time

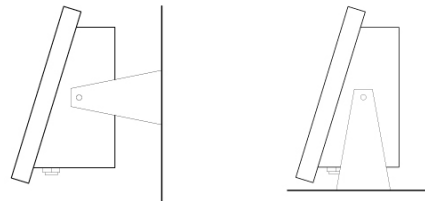
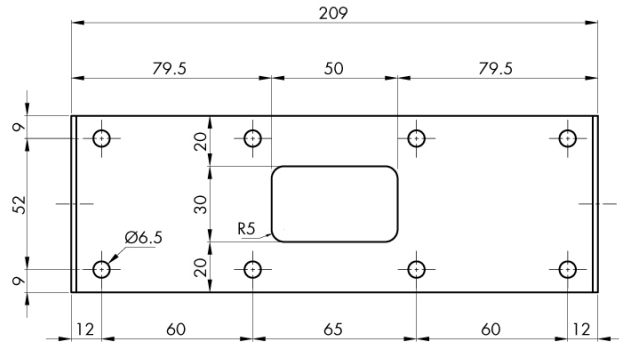
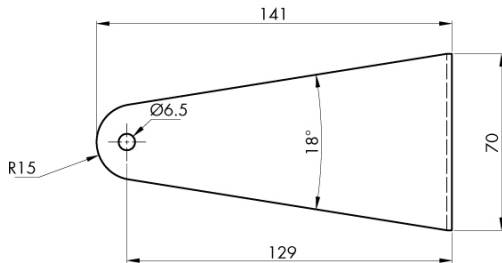
Option: II3(3)G Ex nR(ic IIC Gc) IIC T6 Gc II3(3)D Ex tc (ic IIC Dc) IIIC T85°C DcX -10°C<Tamb<+40°C

TECHNICAL CHARACTERISTICS MCT S 1302

Power supply:	5 Vdc (max 8 -350 Ohm- load cells)
Measuring range:	-3.9 ÷ +3.9 mV/V
Input sensitivity:	0.02 microV min
Linearity:	< 0.01% FS
Temperature drift:	< 0.001% FS/ °C
Display:	graphic LCD (240x128 pixel)
A/D converter:	24 bit; internal resolution up to 16.000.000
Frequency signal acquisition:	12 ÷ 1000 Hz
Displayable resolution:	999.999 divisions on net weight
Division value (selectable):	x1, x2, x5, x10, x20, x50; 4 decimal points
Filter:	selectable 0.1÷250 Hz
Power supply:	10-30 Vdc - Power consumption 5 W
Operating temperature:	-10/+ 50°C (humidity max 85% no condensation)
Storage temperature:	-20 ±+70°C
Logic outputs:	6 opto-isolated; max 24 Vdc/100mA each
Logic inputs:	6 optically isolated 24 Vdc PNP (external power supply)
Additional I/O:	up to 4 external modules with 4 in/8-out each (16 in/32 out, total) by independent RS485
Serial ports:	1 USB device + 1 RS232C + 1 RS485/Fieldbus
Optional analogue output:	optoisolated 16-Bit Voltage: 0 to 5/10 V (R min10 K Ohm), Current: 0/4 to 20 mA (R max 300 Ohm)
Analog output linearity:	< 0,02% FS
Temperature drift analog output:	0,001% FS/°C
Microcontroller:	ARM Cortex M0 + 32 bit 256KB Flash reprogrammable onboard from USB
Data storage:	64 Kbytes expandable up to 1024 Kbytes
Regulatory Compliance:	EN61000-6-2, EN61000-6-3 for EMC; EN61010-1 for Electrical Safety, EN45501 for metrology
Communication protocols:	ETHERNET 10/100 with protocols TCP, MODBUS/TCP, UDP, IP, ICMP, ARP; PROFINET; ETHERNET/IP; ETHERCAT







SCIGATE AUTOMATION (S) PTE LTD

No.1 Bukit Batok Street 22 #01-01 Singapore 659592

Tel: (65) 6561 0488

Fax: (65) 6562 0588

Email: sales@scigate.com.sg

Web: www.scigate.com.sg

Business Hours: Monday - Friday 8.30am - 6.15pm

